

Product datasheet

Specifications



Modicon TM3 - 8 inputs (screw) 24Vdc

TM3DI8

EAN Code: 3606480611360

Main

| | |
|---------------------------|--|
| Range Of Product | Modicon TM3 |
| Product Or Component Type | Discrete input module |
| Range Compatibility | Modicon M241 Modicon M251 Modicon M221 Modicon M262 |
| Discrete Input Number | 8 for input conforming to IEC 61131-2 Type 1 |
| Discrete Input Logic | Sink or source (positive/negative) |
| Discrete Input Voltage | 24 V |
| Discrete Input Current | 7 mA for input |

Complementary

| | |
|--|---|
| Discrete I/O Number | 8 |
| Current Consumption | 5 mA at 5 V DC via bus connector (at state off) 0 mA at 24 V DC via bus connector (at state on) 0 mA at 24 V DC via bus connector (at state off) 24 mA at 5 V DC via bus connector (at state on) |
| Discrete Input Voltage Type | DC |
| Voltage State 1 Guaranteed | 15...28.8 V for input |
| Current State 1 Guaranteed | >= 2.5 mA (input) |
| Voltage State 0 Guaranteed | 0...5 V for input |
| Current State 0 Guaranteed | <= 1 mA (input) |
| Input Impedance | 3.4 kOhm |
| Response Time | 4 ms (turn-on) 4 ms (turn-off) |
| Local Signalling | 1 LED per channel (green) for input status |
| Electrical Connection | 11 x 2.5 mm ² removable screw terminal block with pitch 5.08 mm adjustment for inputs |
| Maximum Cable Distance Between Devices | Unshielded cable: <30 m for regular input |
| Insulation | Between input and internal logic at 500 V AC Non-insulated between inputs |
| Marking | CE |
| Mounting Support | Top hat type TH35-15 rail conforming to IEC 60715 Top hat type TH35-7.5 rail conforming to IEC 60715 plate or panel with fixing kit |
| Height | 90 mm |

| | |
|------------|----------|
| Depth | 84.6 mm |
| Width | 27.4 mm |
| Net Weight | 0.085 kg |

Environment

| | |
|---------------------------------------|--|
| Standards | IEC 61131-2 |
| Product Certifications | CE cULus UKCA RCM EAC cULus HazLoc |
| Resistance To Electrostatic Discharge | 8 kV in air conforming to IEC 61000-4-2 4 kV on contact conforming to IEC 61000-4-2 |
| Resistance To Electromagnetic Fields | 10 V/m 80 MHz...1 GHz conforming to IEC 61000-4-3 3 V/m 1.4 GHz...2 GHz conforming to IEC 61000-4-3 1 V/m 2 GHz...3 GHz conforming to IEC 61000-4-3 |
| Resistance To Magnetic Fields | 30 A/m 50/60 Hz conforming to IEC 61000-4-8 |
| Resistance To Fast Transients | 1 kV for I/O conforming to IEC 61000-4-4 |
| Surge Withstand | 1 kV I/O common mode conforming to IEC 61000-4-5 DC |
| Resistance To Conducted Disturbances | 10 V 0.15...80 MHz conforming to IEC 61000-4-6 3 V spot frequency (2, 3, 4, 6.2, 8.2, 12.6, 16.5, 18.8, 22, 25 MHz) conforming to Marine specification (LR, ABS, DNV, GL) |
| Electromagnetic Emission | Radiated emissions - test level: 40 dB μ V/m QP class A (10 m) at 30...230 MHz conforming to IEC 55011 Radiated emissions - test level: 47 dB μ V/m QP class A (10 m) at 230...1000 MHz conforming to IEC 55011 |
| Ambient Air Temperature For Operation | -10...35 °C vertical installation -10...55 °C horizontal installation |
| Ambient Air Temperature For Storage | -25...70 °C |
| Relative Humidity | 10...95 %, without condensation (in operation) 10...95 %, without condensation (in storage) |
| Ip Degree Of Protection | IP20 with protective cover in place |
| Pollution Degree | 2 |
| Operating Altitude | 0...2000 m |
| Storage Altitude | 0...3000 m |
| Vibration Resistance | 3.5 mm at 5...8.4 Hz on DIN rail 3 gn at 8.4...150 Hz on DIN rail 3.5 mm at 5...8.4 Hz on panel 3 gn at 8.4...150 Hz on panel |
| Shock Resistance | 15 gn for 11 ms |

Packing Units

| | |
|------------------------------|-----------|
| Unit Type Of Package 1 | PCE |
| Number Of Units In Package 1 | 1 |
| Package 1 Height | 7.652 cm |
| Package 1 Width | 10.664 cm |
| Package 1 Length | 12.68 cm |
| Package 1 Weight | 220.0 g |
| Unit Type Of Package 2 | CAR |

| | |
|-------------------------------------|----------|
| Number Of Units In Package 2 | 42 |
| Package 2 Height | 29.4 cm |
| Package 2 Width | 39.5 cm |
| Package 2 Length | 57.7 cm |
| Package 2 Weight | 10.32 kg |
| Unit Type Of Package 3 | P12 |
| Number Of Units In Package 3 | 504 |
| Package 3 Height | 105 cm |
| Package 3 Width | 120 cm |
| Package 3 Length | 80 cm |
| Package 3 Weight | 133 kg |

Contractual warranty

| | |
|-----------------|-----------|
| Warranty | 18 months |
|-----------------|-----------|

Sustainability

Green Premium™ label is Schneider Electric's commitment to delivering products with best-in-class environmental performance. Green Premium promises compliance with the latest regulations, transparency on environmental impacts, as well as circular and low-CO₂ products.

Guide to assessing product sustainability is a white paper that clarifies global eco-label standards and how to interpret environmental declarations.

[Learn more about Green Premium >](#)

[Guide to assess a product's sustainability >](#)



Transparency RoHS/REACH

Well-being performance

✓ Reach Free Of Svhc

✓ Toxic Heavy Metal Free

✓ Mercury Free

✓ Rohs Exemption Information Yes

✓ Pvc Free

Certifications & Standards

Reach Regulation

[REACH Declaration](#)

Eu Rohs Directive

Pro-active compliance (Product out of EU RoHS legal scope)

[EU RoHS Declaration](#)

China Rohs Regulation

[China RoHS declaration](#)

Environmental Disclosure

[Product Environmental Profile](#)

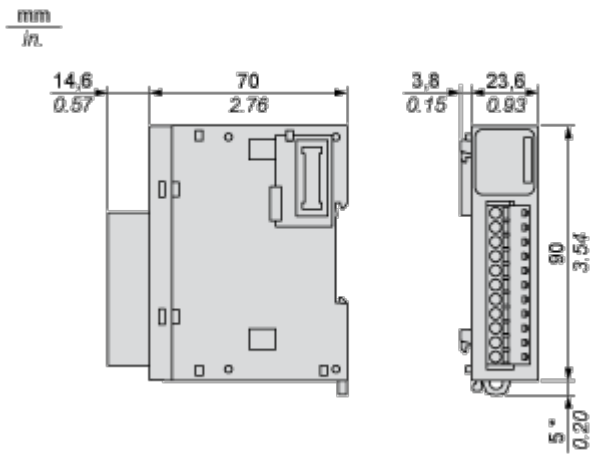
Weee

The product must be disposed on European Union markets following specific waste collection and never end up in rubbish bins

Circularity Profile

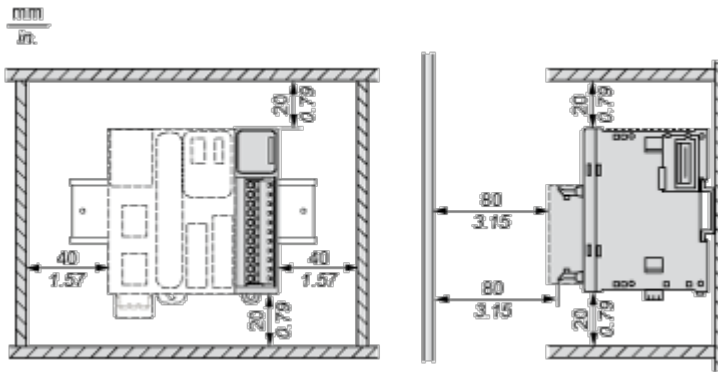
[End of Life Information](#)

Dimensions

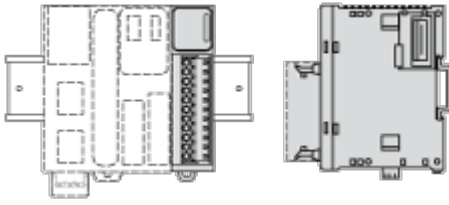


(*) 8.5 mm/0.33 in. when the clamp is pulled out.

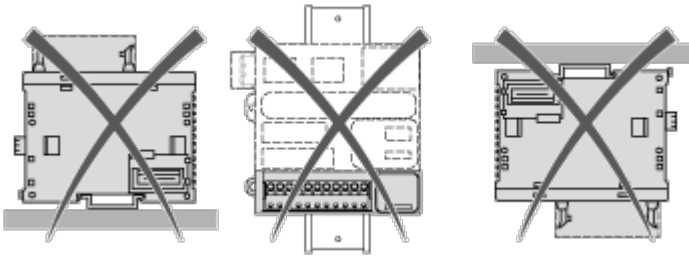
Spacing Requirements



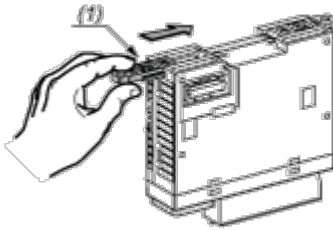
Mounting on a Rail



Incorrect Mounting

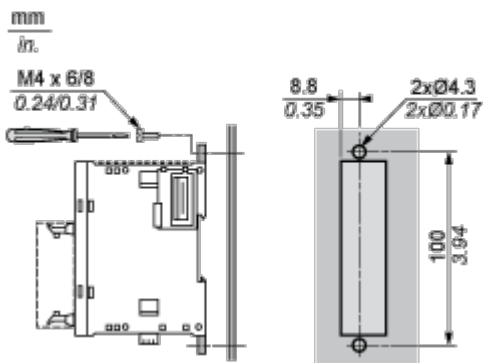


Mounting on a Panel Surface



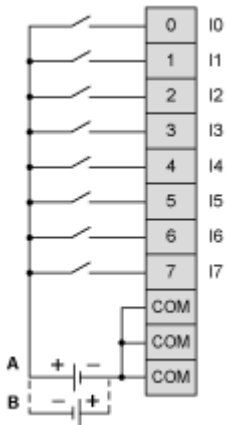
- (1) Install a mounting strip

Mounting Hole Layout



Digital Input Module (8-channel, 24 Vdc)

Wiring Diagram



The 3 COM terminals are connected internally.

- (A) Sink wiring (positive logic)
- (B) Source wiring (negative logic)