

Product datasheet

Specifications



advanced touchscreen panel 320 x 240 pixels QVGA- 5.7" TFT - 96 MB

Local distributor code:
398059158

HMIGTO2310

EAN Code: 3595864150246

Main

| | |
|---------------------------|---|
| Range Of Product | Harmony GTO |
| Product Or Component Type | Advanced touchscreen panel |
| Display Colour | 65536 colours |
| Display Size | 5.7 inch |
| Supply | External source |
| Operating System | Harmony |
| Battery Type | Lithium battery for internal RAM, autonomy: 100 days, charging time = 5 day(s), battery life = 10 year(s) |

Complementary

| | |
|--------------------------------|--|
| Terminal Type | Touchscreen display |
| Display Type | Backlit colour TFT LCD |
| Display Resolution | 320 x 240 pixels QVGA |
| Touch Sensitive Zone | 1024 x 1024 |
| Touch Panel | Resistive film, 1000000 cycles |
| Backlight Lifespan | 50000 hours white at 25 °C |
| Brightness | 16 levels - control by touch panel 16 levels - control by software |
| Character Font | Korean Taiwanese (traditional Chinese) ASCII (European characters) Chinese (simplified Chinese) Japanese (ANK, Kanji) |
| [Us] Rated Supply Voltage | 24 V DC |
| Supply Voltage Limits | 19.2...28.8 V |
| Inrush Current | 30 A |
| Maximum Power Consumption In W | 6.5 W when power is not supplied to external devices 4.5 W when backlight is OFF 5 W when backlight is dimmed 10.5 W |
| Local Signalling | Status LED green, steady for offline Status LED green, steady for operating Status LED orange, flashing for software starting up Status LED red, steady for power supply (ON) Status LED clear, faded for power supply (OFF) COM2 LED yellow, steady for data is being transmitted COM2 LED yellow, faded for no data transmission SD card LED green, steady for card is inserted SD card LED green, faded for card is not inserted or is not being accessed |
| Software Designation | Vijeo Designer configuration software >= V6.1 |

| | |
|-----------------------------------|--|
| Memory Description | Flash EPROM, 96 MB |
| Data Backed Up | 512 KB internal RAM (SRAM) |
| Data Storage Equipment | SD card, <= 32 GB SDHC card, <= 32 GB |
| Downloadable Protocols | Schneider Electric Modicon Modbus Schneider Electric Modicon Uni-TE Schneider Electric Modicon Modbus Plus Schneider Electric Modicon FIPWAY Mitsubishi Melsec third party protocols Omron Sysmac third party protocols Rockwell Automation Allen-Bradley third party protocols Siemens Simatic third party protocols Schneider Electric Modicon Modbus TCP |
| Integrated Connection Type | COM1 serial link SUB-D 9, interface: RS232C, transmission rate: 2400...115200 bps COM2 serial link RJ45, interface: RS485, transmission rate: 2400...115200 bps COM2 serial link RJ45, interface: RS485, transmission rate: 187.5 kbps compatible with Siemens MPI Ethernet RJ45, interface: 10BASE-T/100BASE-TX Ethernet RJ45, interface: IEEE 802.3 USB 2.0 type A USB 2.0 type mini B |
| Product Mounting | Flush mounting |
| Fixing Mode | By 4 screw clamps |
| Front Material | PPT |
| Enclosure Material | PPT |
| Type Of Cooling | Natural convection |
| Width | 169.5 mm |
| Height | 137 mm |
| Depth | 59.5 mm |
| Net Weight | 0.8 kg |

Environment

| | |
|--|--|
| Standards | IEC 61000-6-2 UL 508 IEC 61131-2 |
| Product Certifications | cULus C-Tick CE KCC UKCA UKEX |
| Ambient Air Temperature For Operation | 0...55 °C |
| Ambient Air Temperature For Storage | -20...60 °C |
| Relative Humidity | 10...90 % without condensation |
| Operating Altitude | < 2000 m |
| Ip Degree Of Protection | IP20 (rear panel) conforming to IEC 60529 IP65 (front panel) conforming to IEC 60529 |
| Nema Degree Of Protection | NEMA 4X front panel (indoor use) |
| Shock Resistance | 147 m/s ² 3 chocks in each direction X, Y and Z conforming to IEC 61131-2 |
| Vibration Resistance | 3.5 mm (f = 5...9 Hz) - X, Y, Z directions for 10 cycles (approx. 100 min) - conforming to IEC 61131-2 1 gn (f = 9...150 Hz) - X, Y, Z directions for 10 cycles (approx. 100 min) - conforming to IEC 61131-2 |
| Resistance To Electrostatic Discharge | 6 kV contact discharge conforming to IEC 61000-4-2 level 3 |

Packing Units

| | |
|------------------------------|------------|
| Unit Type Of Package 1 | PCE |
| Number Of Units In Package 1 | 1 |
| Package 1 Height | 14.500 cm |
| Package 1 Width | 18.500 cm |
| Package 1 Length | 23.500 cm |
| Package 1 Weight | 1.098 kg |
| Unit Type Of Package 2 | S03 |
| Number Of Units In Package 2 | 4 |
| Package 2 Height | 30.000 cm |
| Package 2 Width | 30.000 cm |
| Package 2 Length | 40.000 cm |
| Package 2 Weight | 5.000 kg |
| Unit Type Of Package 3 | P12 |
| Number Of Units In Package 3 | 64 |
| Package 3 Height | 105.000 cm |
| Package 3 Width | 80.000 cm |
| Package 3 Length | 120.000 cm |
| Package 3 Weight | 100.000 kg |

Contractual warranty

| | |
|----------|-----------|
| Warranty | 18 months |
|----------|-----------|

Sustainability

Green Premium™ label is Schneider Electric's commitment to delivering products with best-in-class environmental performance. Green Premium promises compliance with the latest regulations, transparency on environmental impacts, as well as circular and low-CO₂ products.

Guide to assessing product sustainability is a white paper that clarifies global eco-label standards and how to interpret environmental declarations.

[Learn more about Green Premium >](#)


[Guide to assess a product's sustainability >](#)



Transparency RoHS/REACH

Well-being performance

 Mercury Free

 RoHS Exemption Information Yes

Certifications & Standards

Reach Regulation [REACH Declaration](#)

Eu RoHS Directive Pro-active compliance (Product out of EU RoHS legal scope)

China RoHS Regulation [China RoHS declaration](#)

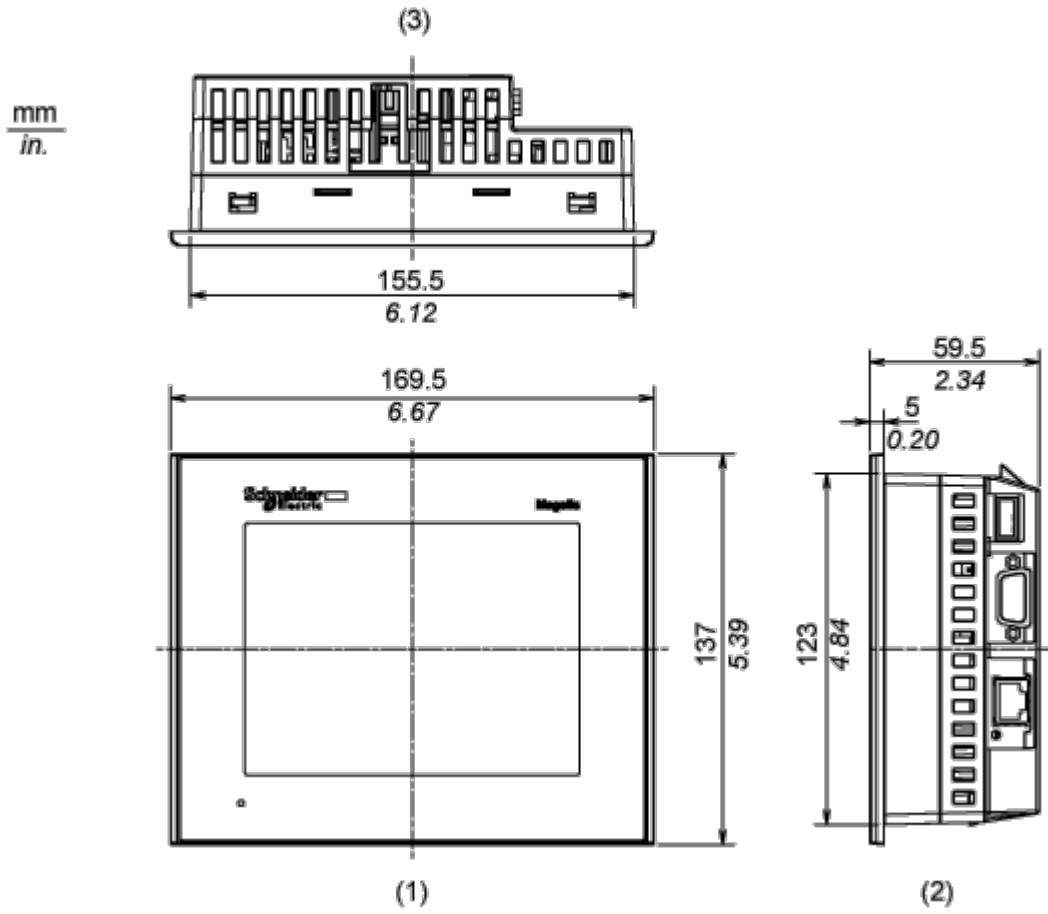
Environmental Disclosure [Product Environmental Profile](#)

Weee The product must be disposed on European Union markets following specific waste collection and never end up in rubbish bins

Circularity Profile [End of Life Information](#)

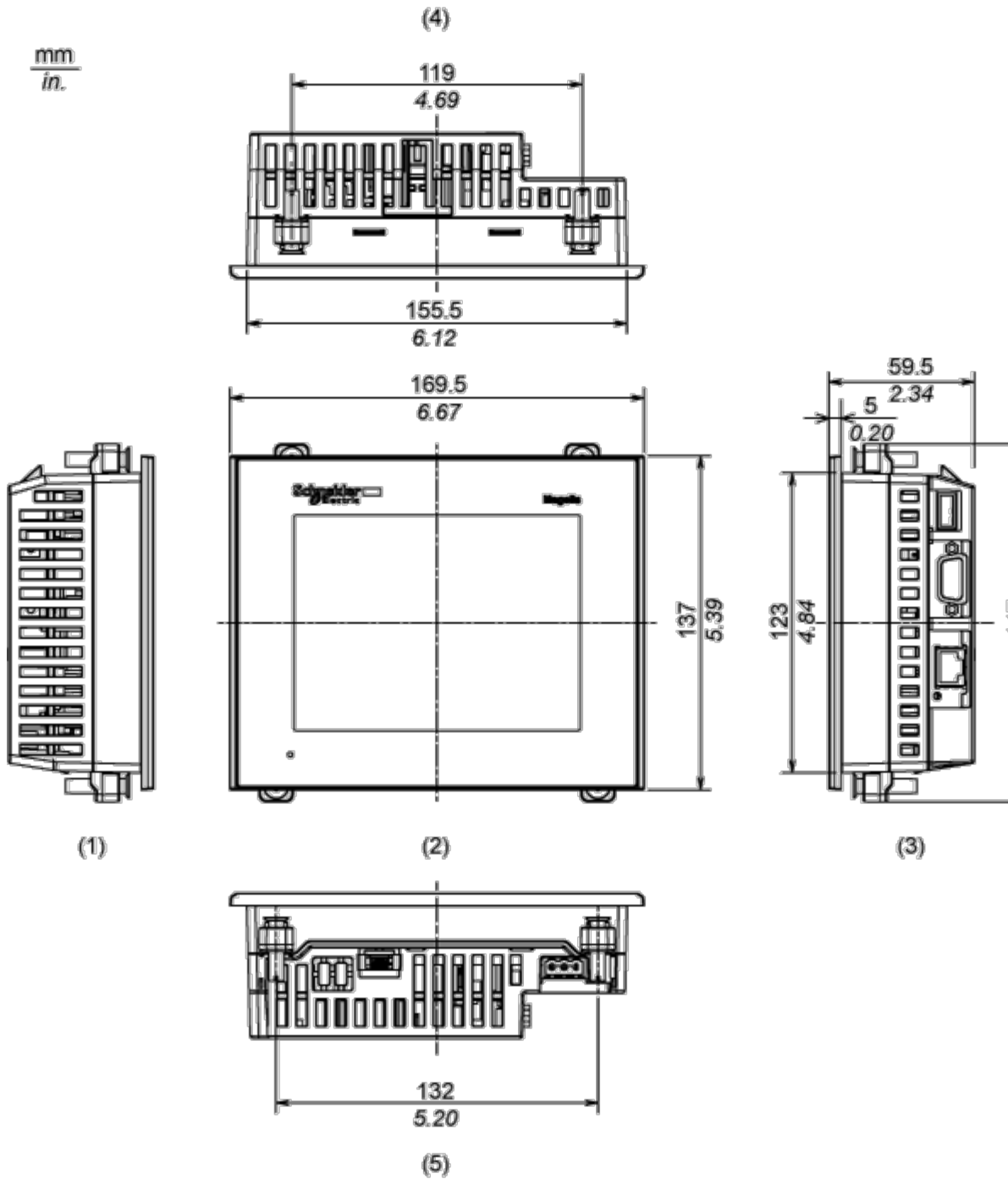
Dimensions

External Dimensions



- 1 Front
- 2 Right Side
- 3 Top

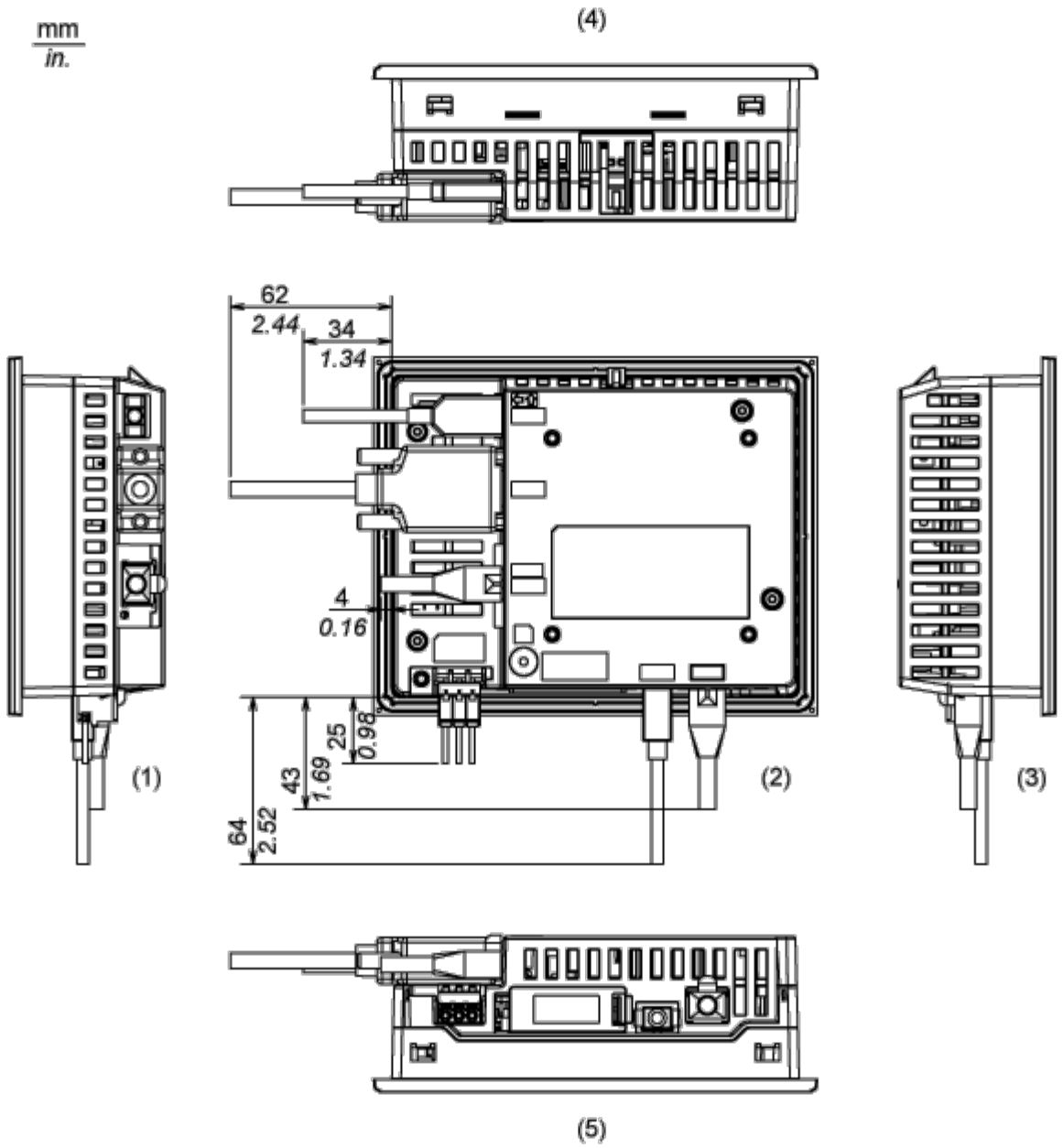
Installation with Installation Fasteners



- 1 Left Side
- 2 Front
- 3 Right Side
- 4 Top
- 5 Bottom

Dimensions with Cables

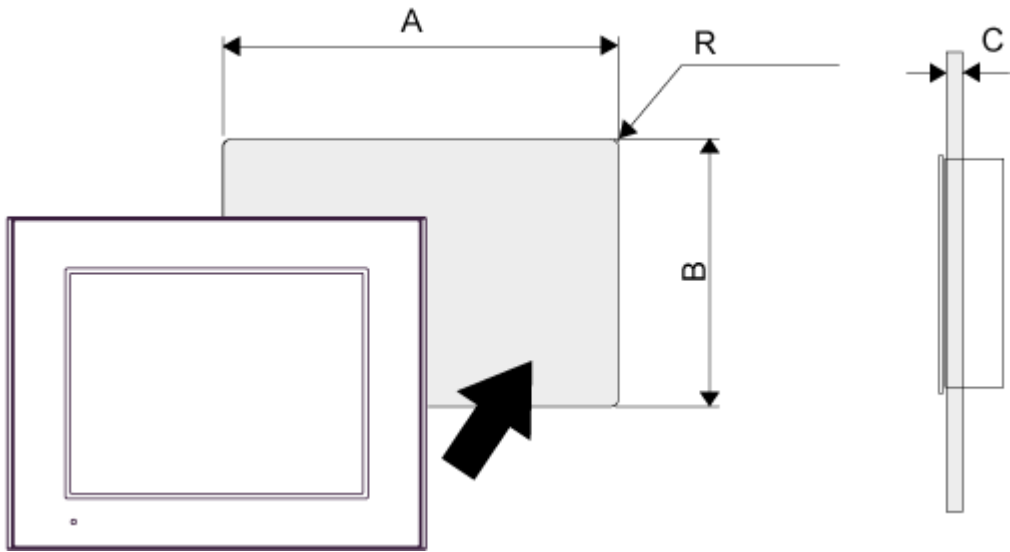
mm
in.



- 1 Left Side
- 2 Rear
- 3 Right Side
- 4 Top
- 5 Bottom

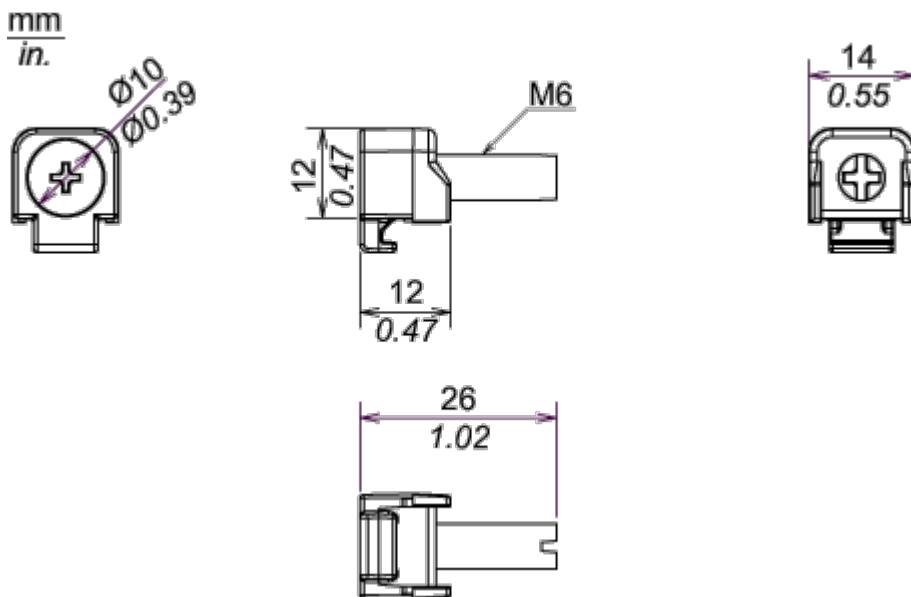
Mounting

Panel Cut Dimensions



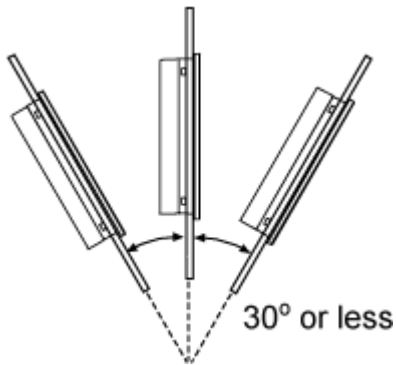
| A | | B | | C | | R | |
|--------------|------------------|----------------|------------------|---------|------------|--------|-----------|
| mm | in. | mm | in. | mm | in. | mm | in. |
| 156 (+1, -0) | 6.14 (+0.04, -0) | 123.5 (+1, -0) | 4.86 (+0.04, -0) | 1.6...5 | 0.06...0.2 | 3 max. | 0.12 max. |

Installation Fastener Dimensions



Installation Requirements

Mounting Angle



When installing the panel in a slanted position with an incline more than 30° , the ambient temperature must not exceed 40°C (104°F). You may need to use forced air cooling (fan,A/C) to ensure the ambient operating temperature is 40°C or less (104°F or less).

Clearance

