



Product designation				Modular switching power supplies
Product type designation				PSL1M
<b>Input characteristics</b>				
Input type				Single-phase
Rated supply voltage AC			VAC	Multivoltage 100...240
Operating range				
	AC			
		min	VAC	90
		Max	VAC	264
	DC			
		min	VDC	120
		Max	VDC	375
Rated frequency			Hz	50/60
Operational frequency				
		min	Hz	47
		max	Hz	63
Current consumption Max			mA	1700
PFC				No
Insulation voltage Input/Output				
		AC	VAC	3000
		DC	VAC	4242
Internal fuse (250VAC)				T3 15A 250VAC
<b>Output characteristics</b>				
Rated output voltage DC			VDC	12
Voltage trimming (potentiometer) DC				
		min	VDC	12
		Max	VDC	14
Rated output current			A	6
Rated output power			W	72
Temperature coefficient			%/°C	±0.03
Line adjustment			%	±1
Load adjustment			%	±1
Efficiency			%	86
Overload protection				110...150%
Short-circuit protection				Fold forward
Ripple & noise			mV	50
Parallel connection			Nr.	No
<b>Indications</b>				
LED indicator for power on				Yes
LED indicator for low voltage				Yes
<b>Connections</b>				
Terminals type				Screw
<b>Ambient conditions</b>				

Temperature

Operating temperature

min	°C	-40
max	°C	+71

Storage temperature

min	°C	-40
max	°C	+85

Derating

%/°C	2.5%/°C above 60°C
------	--------------------

**Housing**

Execution (n° of modules)

5

Material

Plastic

IEC degree of protection

IP20

Dimensions (W x H x D)

mm 90 x 96 x 56.2

Weight

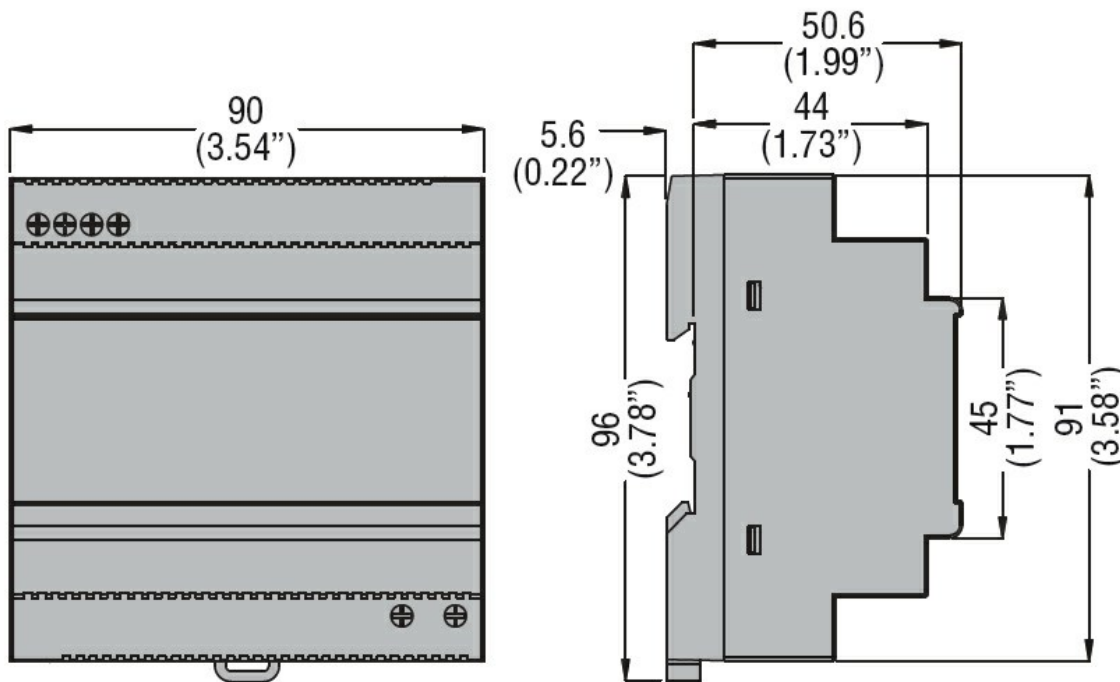
g 443

**Installations**

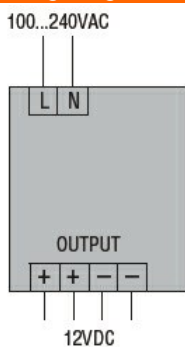
Mounting

On 35mm DIN rail

**Dimensions [mm (in)]**



**Wiring diagrams**



**Certifications and compliance**

Compliance

CSA C22.2 n°14

---

IEC/EN/BS 61000-6-2

---

IEC/EN/BS 61000-6-3

---

IEC/EN/BS 62368-1

---

UL 508

---

Certificates

cULus

---

EAC

---

RCM

---

ETIM classification

ETIM 8.0

EC002540 - DC-  
power supply