



Product designation				Modular switching power supplies
Product type designation				PSL1M
<b>Input characteristics</b>				
Input type				Single-phase
Rated supply voltage AC	VAC			Multivoltage 100...240
Operating range	AC	min	VAC	90
		Max	VAC	264
	DC	min	VDC	120
		Max	VDC	375
Rated frequency				Hz 50/60
Operational frequency		min	Hz	47
		max	Hz	63
Current consumption Max				mA 1500
PFC				No
Insulation voltage Input/Output	AC	VAC	3000	
	DC	VAC	4242	
Internal fuse (250VAC)				T2A 250VAC
<b>Output characteristics</b>				
Rated output voltage DC	VDC			24
Voltage trimming (potentiometer) DC	min	VDC	24	
	Max	VDC	28	
Rated output current	A			2.5
Rated output power	W			60
Temperature coefficient	%/°C			±0.03
Line adjustment	%			±1
Load adjustment	%			±1
Efficiency	%			86
Overload protection				110...150%
Short-circuit protection				Fold forward
Ripple & noise	mV			50
Parallel connection	Nr.			No
<b>Indications</b>				
LED indicator for power on				Yes
LED indicator for low voltage				Yes
<b>Connections</b>				
Terminals type				Screw
<b>Ambient conditions</b>				

Temperature

Operating temperature

min	°C	-40
max	°C	+71

Storage temperature

min	°C	-40
max	°C	+85

Derating

%/°C	2.5%/°C above 56°C
------	--------------------

**Housing**

Execution (n° of modules)

4

Material

Plastic

IEC degree of protection

IP20

Dimensions (W x H x D)

mm 71 x 96 x 56.2

Weight

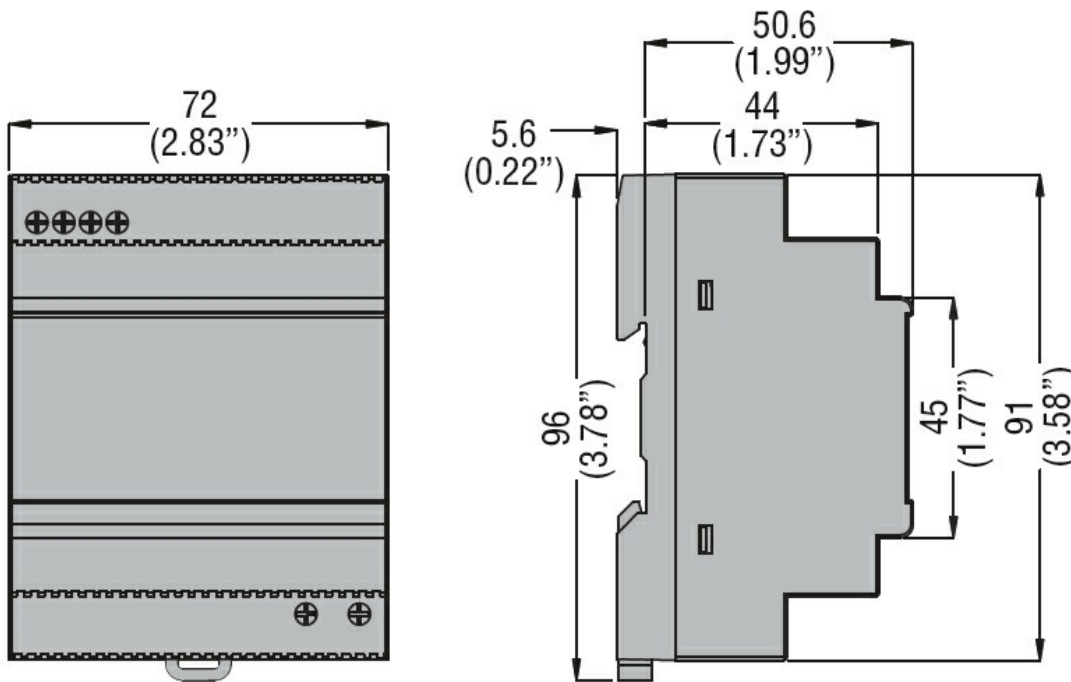
g 311

**Installations**

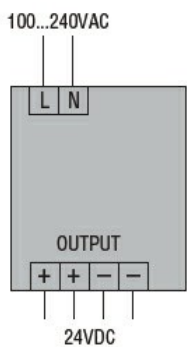
Mounting

On 35mm DIN rail

**Dimensions [mm (in)]**



**Wiring diagrams**



**Certifications and compliance**

Compliance

CSA C22.2 n°14

---

IEC/EN/BS 61000-6-2

---

IEC/EN/BS 61000-6-3

---

IEC/EN/BS 62368-1

---

UL 508

---

Certificates

---

cULus

---

EAC

---

RCM

**ETIM classification**

ETIM 8.0

EC002540 - DC-  
power supply