



| | | | | |
|-------------------------------------|------|-----|------|----------------------------------|
| Product designation | | | | Modular switching power supplies |
| Product type designation | | | | PSL1M |
| Input characteristics | | | | |
| Input type | | | | Single-phase |
| Rated supply voltage AC | VAC | | | Multivoltage 100...240 |
| Operating range | AC | min | VAC | 90 |
| | | Max | VAC | 264 |
| | DC | min | VDC | 120 |
| | | Max | VDC | 375 |
| Rated frequency | | | | Hz 50/60 |
| Operational frequency | | min | Hz | 47 |
| | | max | Hz | 63 |
| Current consumption Max | | | | mA 1500 |
| PFC | | | | No |
| Insulation voltage Input/Output | AC | VAC | 3000 | |
| | DC | VAC | 4242 | |
| Internal fuse (250VAC) | | | | T2A 250VAC |
| Output characteristics | | | | |
| Rated output voltage DC | VDC | | | 12 |
| Voltage trimming (potentiometer) DC | min | VDC | 12 | |
| | Max | VDC | 14 | |
| Rated output current | A | | | 4.5 |
| Rated output power | W | | | 54 |
| Temperature coefficient | %/°C | | | ±0.03 |
| Line adjustment | % | | | ±1 |
| Load adjustment | % | | | ±1 |
| Efficiency | % | | | 84 |
| Overload protection | | | | 110...150% |
| Short-circuit protection | | | | Fold forward |
| Ripple & noise | mV | | | 50 |
| Parallel connection | Nr. | | | No |
| Indications | | | | |
| LED indicator for power on | | | | Yes |
| LED indicator for low voltage | | | | Yes |
| Connections | | | | |
| Terminals type | | | | Screw |
| Ambient conditions | | | | |

Temperature

Operating temperature

| | | |
|-----|----|-----|
| min | °C | -40 |
| max | °C | +71 |

Storage temperature

| | | |
|-----|----|-----|
| min | °C | -40 |
| max | °C | +85 |

Derating

| | |
|------|--------------------|
| %/°C | 2.5%/°C above 56°C |
|------|--------------------|

Housing

Execution (n° of modules)

4

Material

Plastic

IEC degree of protection

IP20

Dimensions (W x H x D)

mm 71 x 96 x 56.2

Weight

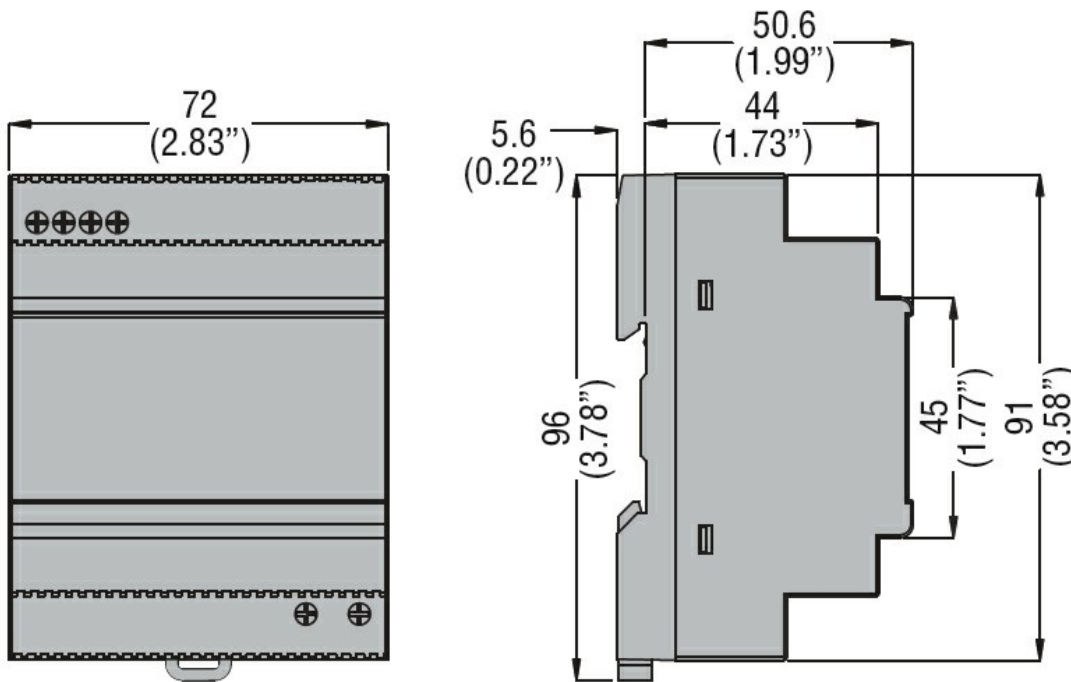
g 311

Installations

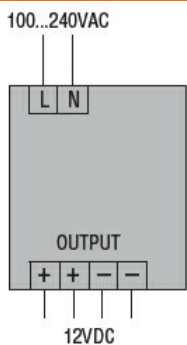
Mounting

On 35mm DIN rail

Dimensions [mm (in)]



Wiring diagrams



Certifications and compliance

Compliance

CSA C22.2 n°14

IEC/EN/BS 61000-6-2

IEC/EN/BS 61000-6-3

IEC/EN/BS 62368-1

UL 508

Certificates

cULus

EAC

RCM

ETIM classification

ETIM 8.0

EC002540 - DC-
power supply