


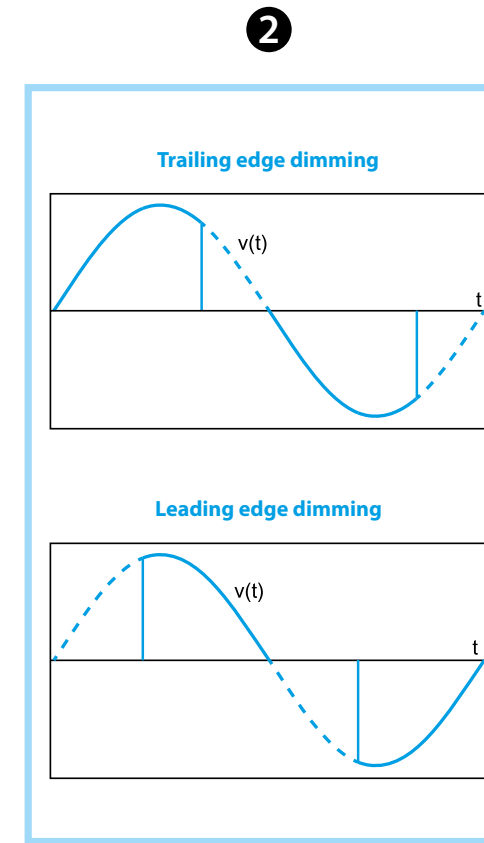
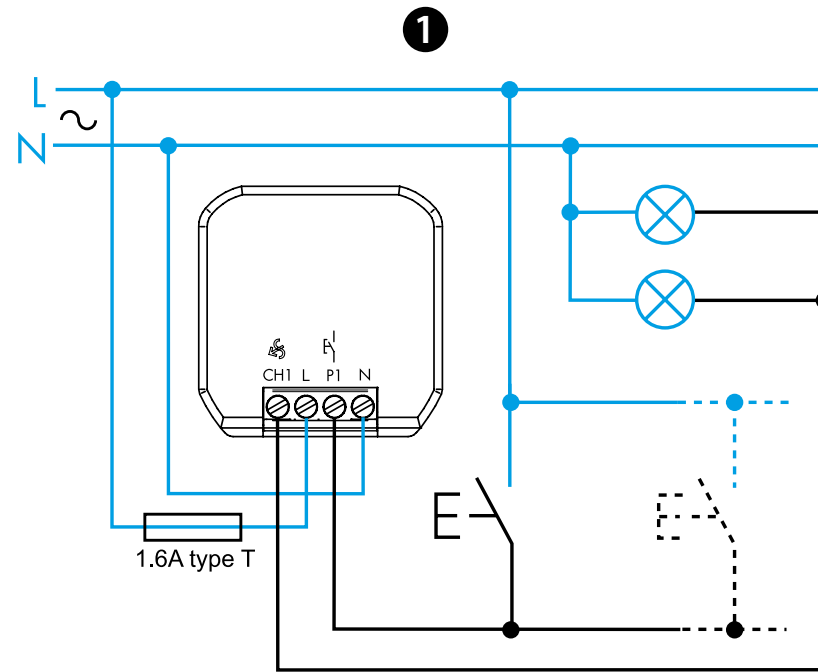
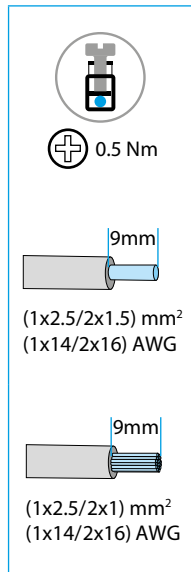




15.21

|   |  |
|---|--|
| EN 60669-1/EN 60669-2-1   |  |
|  | <b>15.21.8.230.0200</b><br>U <sub>N</sub> 230 V AC (50/60 Hz)<br>U <sub>min</sub> 184 V AC<br>U <sub>max</sub> 264 V AC<br>P 0.4 W |
|   | <b>230 V AC</b>  |
| <b>LED</b>  | 200 W  |
|  | 200 W  |
|  | (-10...+45)°C  |



15.21.8.230.0200 DIMMER

**1** WIRING DIAGRAM

**2** Correct operation of the dimmer can only be guaranteed for 230 V LED lamps that are dimmable.

**DIMMING METHOD**

The dimmer is pre-set for "Trailing edge" dimming, but it is possible to set "Leading edge" using the following sequence:

- Disconnect the power supply
- Press and hold down a push-button
- Restore power while holding down the button until the lamp produces one or two flashes and, at this point, release the button.  
If 2 flashes are emitted the new set method will be Leading Edge, if only one flash is emitted the method will be Trailing Edge

**NOTE**

- On switch off, the light level is not memorized
- Short control pulse: Alternately switches between ON and OFF, i.e. between the maximum light level and the off state
- Long control pulse: The light level is progressively raised or lowered in a linear way
- When dimming down and reaching the minimum light level there is a short pause in which to release the push-button, otherwise the light level will start to increase
- Protect the dimmer with a 1.6 A 250 V type T fuse