



13.52

	13.52.8.230.B000 U _N 110...230 V AC (50/60 Hz) U _{min} 96 V AC U _{max} 253 V AC P 2 VA (50 Hz)/0.5 W		
Ch1	2 NO (DPST-NO) 6 A 230 V AC		
Ch2	AC1	110 V	230 V
	AC15	650 VA 150 VA	1380 VA 300 VA
	(-10...+50)°C		
	5 (≤1 mA)		
IP20			

Ch1	
Ch2	

0.5 Nm

9mm
(1x2.5/2x1.5) mm²
(1x14/2x16) AWG

9mm
(1x2.5/2x1) mm²
(1x14/2x16) AWG

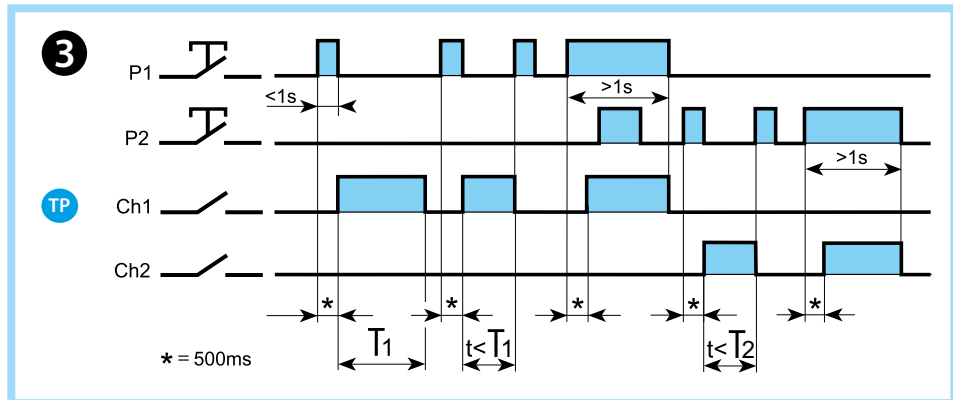
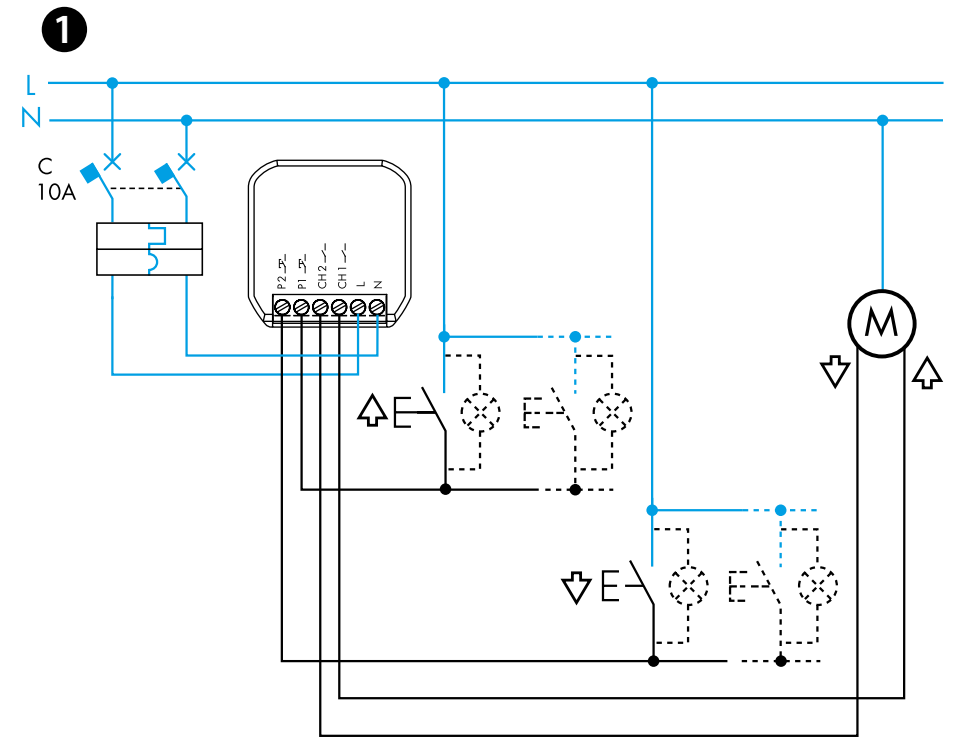
2

Download on the **App Store**

FINDER YOU

GET IT ON **Google Play**

Bluetooth™



ENGLISH

13.52.8.230.B000 ROLLER BLIND ACTUATOR

1 WIRING DIAGRAM

- Channel 1: Ch1 - push button 1 (P1)
- Channel 2: Ch2 - push button 2 (P2)

2 FINDER YOU APPLICATION

- With the Finder YOU App you can:
- Set the timings on channels Ch1 - Ch2
 - Associate the wireless button
 - Set scenarios (Where a scenario calls for the simultaneous operation of several shutters the "R" setting staggers their operation to avoid excessive disturbance on the supply system)

NOTE

- Transmission range: approximately 10 m in free space and without obstacles
- The transmission range may vary depending on the building structure
- Example:
 - Reinforced concrete walls and/or metal walls
 - Partition walls filled with insulating wool on a metallic backing
 - Ceilings with metal or carbon fiber panels
 - Lead glass or glass with metal cladding, steel furniture

3 FUNCTIONS

NOTE

OPENING PERCENTAGE STATUS
To get the opening percentage status, it is necessary to update the 13.52 to the 16th version or later.
To work properly, the times T1 (ascent) and T2 (descent) must be set precisely and then perform a complete roll-up or roll-down to begin displaying the opening percentage status.

NOTA

Electronic switches must be protected upstream by a circuit breaker with a maximum rated current of 10 A.
Other types of protection can be used.
These must have equivalent characteristics and comply with national regulations.