



13.22

	13.22.8.230.B000 U _N 110...230 V AC (50/60 Hz) U _{min} 96 V AC U _{max} 253 V AC P 2 VA (50 Hz)/0.5 W		
Ch1 Ch2	2 NO (DPST-NO) 6 A 230 V AC		
	AC1	110 V	230 V
	AC15	650 VA 150 VA	1380 VA 300 VA
	(-10...+50)°C		
	5 (≤1 mA)		
IP20			

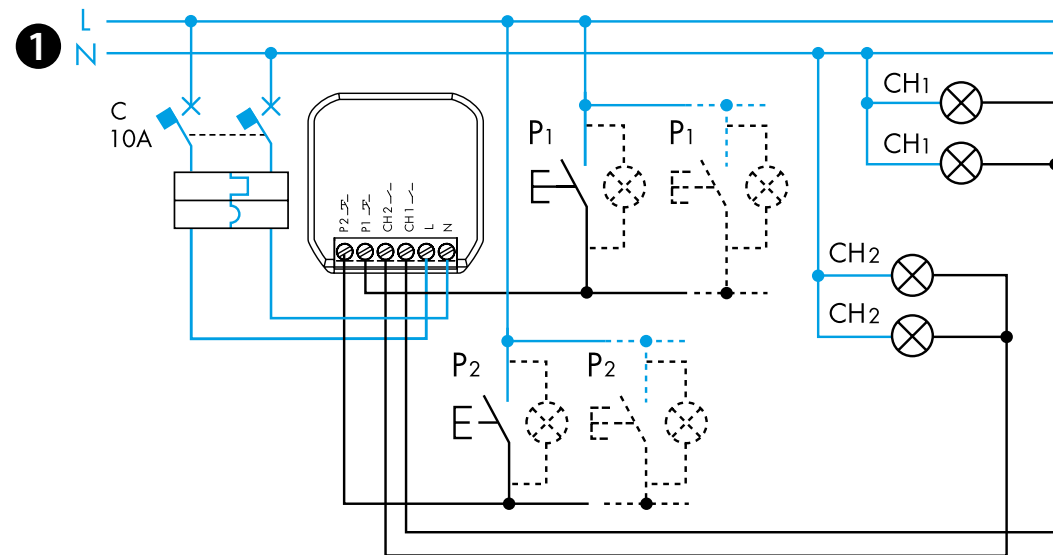
Ch1		200 W
Ch2		2 A
	CFLi-LEDi	60 W
	General purpose	5 A

2

Download on the App Store

FINDER YOU

GET IT ON Google Play



4

CP

VB

02				
03				
04				
05				
06				
07				
08				

3

RI		DE	
RM		FZ	
BE		IP	
BP		IT	
LE			
ME			
MP			

5

Smartphone
Wireless pushbutton
Voice assistant

R1a

ENGLISH

13.22.8.230.B000 MULTI-FUNCTION RELAY

- 1 WIRING DIAGRAM**
Channel 1: Ch1 - pushbutton 1 (P1)
Channel 2: Ch2 - pushbutton 2 (P2)
- 2 FINDER YOU APPLICATION**
With the Finder YOU App you can:
- Set the functions, the Sequences and the timing (T1, T2) on the Ch1 - Ch2 channels
- Associate the wireless pushbutton
- Set the scenarios
- NOTE**
- Transmission range: approximately 10 m in free space and without obstacles
- The transmission range may vary depending on the building structure
Example:
- Reinforced concrete walls and/or metal walls
- Partition walls filled with insulating wool on a metallic backing
- Ceilings with metal or carbon fiber panels
- Lead glass or glass with metal cladding, steel furniture

- 3 FUNCTIONS for single channel**
The Ch1 and Ch2 channels are independent and can be set with different functions. Timings (T1, T2): from 1s to 24h.
RI: factory pre-set function on both channels

- 4 FUNCTIONS using both channels**
Switching sequences 02 to 08 work on both Ch1 and Ch2.
NOTE
P1 (SET): leads to the next state
P2 (RESET): leads to the initial state

- 5 FUNCTION R1a**
R1a: Step relay (switch control)
A traditional lighting system with switch, diverter and inverter, can be remotely controlled with the Finder YESLY App, using wireless pushbuttons, or via a voice assistant.
NOTA
Electronic switches must be protected upstream by a circuit breaker with a maximum rated current of 10 A.
Other types of protection can be used.
These must have equivalent characteristics and comply with national regulations.