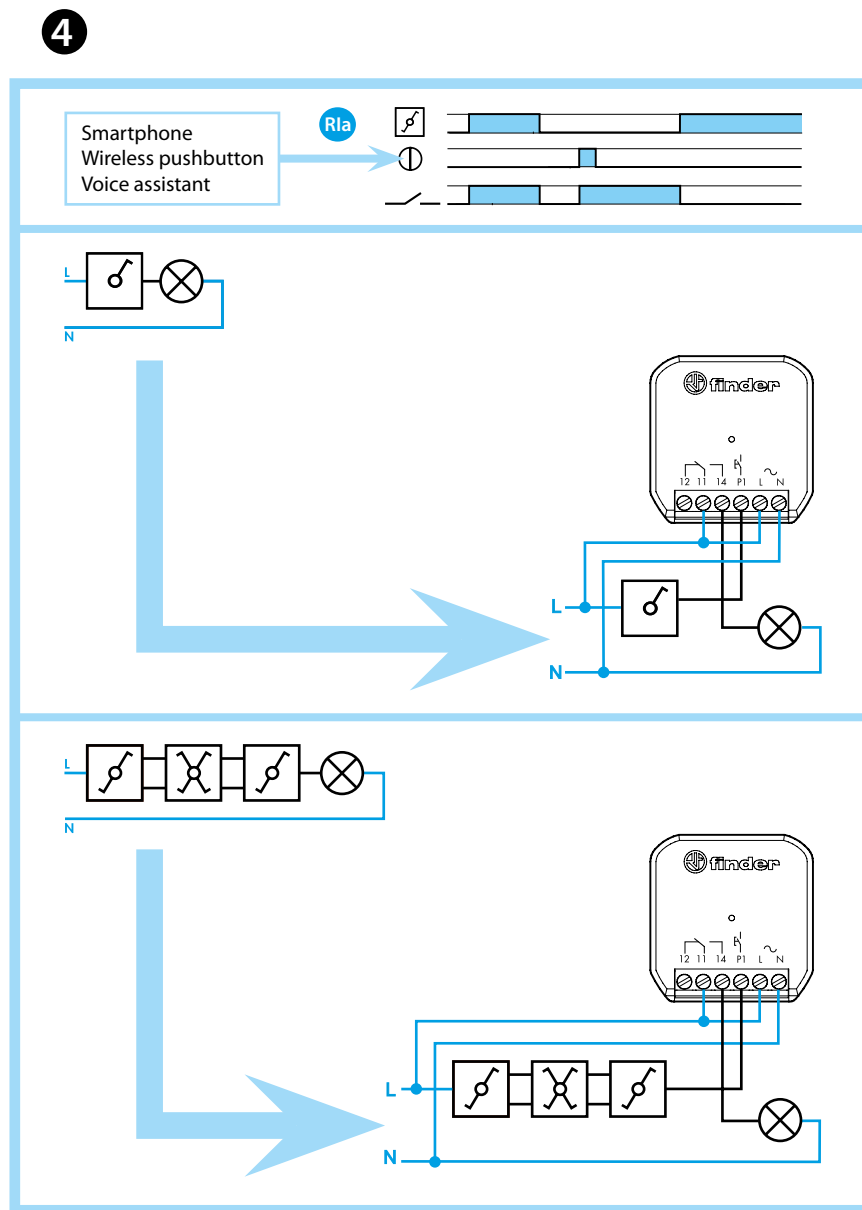
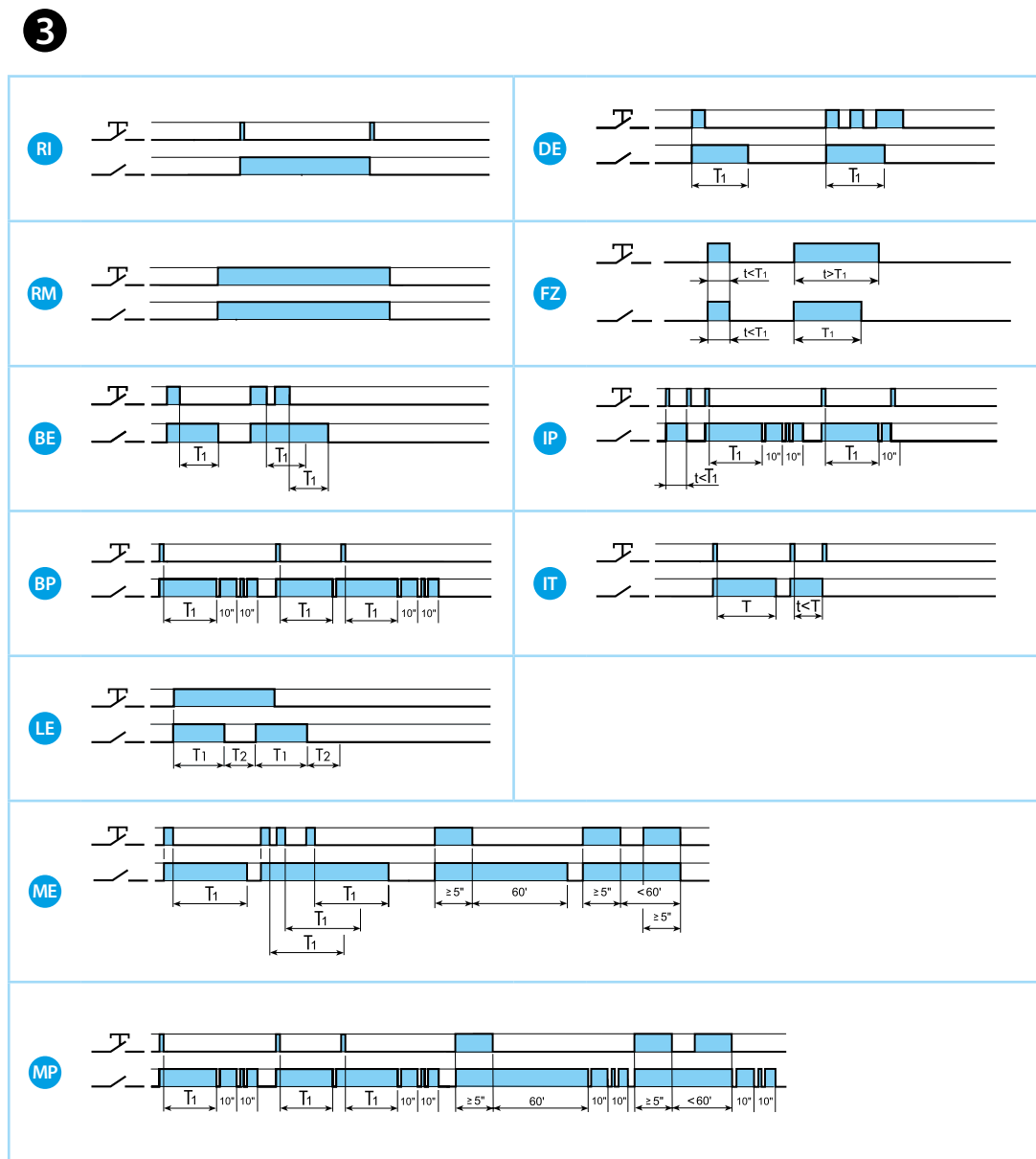
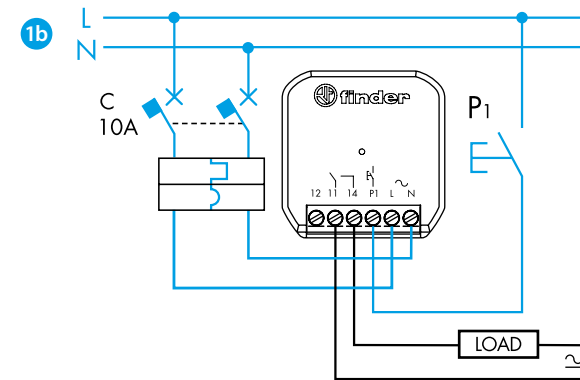
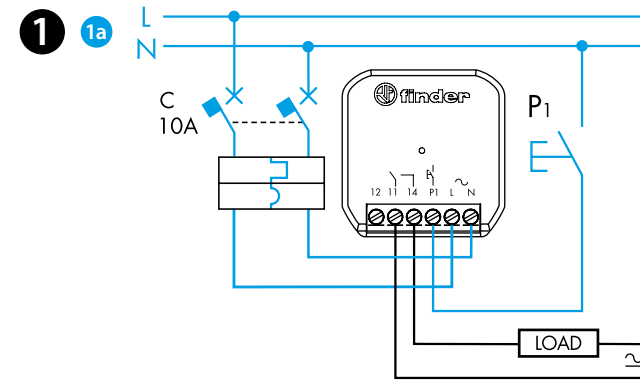




13.21 B

	<b>13.21.8.230.B000</b> $U_N$ 110...230 V AC (50/60 Hz) $U_{min}$ 96 V AC $U_{max}$ 253 V AC $P$ 2.8 VA (50 Hz)/0.8 W	
	1 CO (SPDT) 16 A 250 V AC	
	(-10...+50)°C	
IP20		

EN 60669-1/EN 60669-2-1		
		1000 W
		4 A
	General purpose	300 W
		6 A



# ENGLISH

## 13.21.8.230.B000 MULTI-FUNCTION RELAY

**1 WIRING DIAGRAM**  
**1a** 3 wires (P1 button to neutral)  
**1b** 4 wires (P1 button to phase)  
**NOTA**  
 The 12 terminal refers to the NC contact of the relay

**2 FINDER YOU APPLICATION**  
 With the Finder YOU App you can:  
 - Set the functions, the Sequences and the timing from 1 s to 24 h  
 - Associate the wireless pushbutton  
 - Set the scenarios

**NOTE**  
 - Transmission range: approximately 10 m in free space and without obstacles  
 - The transmission range may vary depending on the building structure  
 Example:  
 - Reinforced concrete walls and/or metal walls  
 - Partition walls filled with insulating wool on a metallic backing  
 - Ceilings with metal or carbon fiber panels  
 - Lead glass or glass with metal cladding, steel furniture

**3 FUNCTIONS**  
**RI:** factory pre-set function  
**NOTA**  
 - DE function ( $T \geq 2''$ ) for electric locks

**4 FUNCTION RiA**  
**RiA:** Step relay (switch control)  
 A traditional lighting system with switch, diverter and inverter, can be remotely controlled with the Finder YESLY App, using wireless pushbuttons, or via a voice assistant.

**NOTA**  
 Electronic switches must be protected upstream by a circuit breaker with a maximum rated current of 10 A.  
 Other types of protection can be used.  
 These must have equivalent characteristics and comply with national regulations.