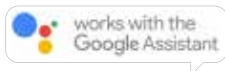


# REPORT

## YESLY - Accessories



**finder**<sup>®</sup>  
SWITCH TO THE FUTURE



# YESLY

TIME FOR  
COMFORT  
LIVING



Gateway



Wireless  
pushbuttons



Range  
extender

YESLY is the innovative system for the smart control of lights, blinds and curtains via your smartphone, pushbuttons or voice commands; designed to ensure the maximum comfort in your home.

Accessories for the YESLY system include:

- GATEWAY: With Finder GATEWAY you can control your YESLY system remotely, via your WiFi network, Bluetooth; or with Amazon Alexa or The Google Assistant.
- 2-INPUT INTERFACE UNIT: Allows you to integrate YESLY into an existing residential system to control your YESLY devices and use scenarios via traditional pushbuttons or switches.
- BEYON: A wireless pushbutton that works without batteries or any charging device to remotely control your YESLY comfort living system.
- Range extender: Available as a USB stick or for installation within a 60 mm wall box to extend the transmission range where wireless pushbuttons or a smartphone cannot communicate with the YESLY devices because of the distance.



### Type 1Y.GU.005 - YESLY GATEWAY - Control your devices with just your voice

The YESLY GATEWAY has been designed to be small, elegant and very easy to install.



WiFi



Personalised scenarios



Electric roller blind control



Control remotely

With GATEWAY you can control your YESLY system remotely, wherever you are in the world. No more forgotten lights left on or roller blinds left open. It is always possible, any time and anywhere, to check their status and make changes if necessary.

Moreover, through GATEWAY it is even possible to manage your system through voice commands using The GOOGLE Assistant or AMAZON ALEXA. Just say: "Hey Google, lower the blinds" or "Alexa, adjust the light to 50%", to control any or all of your devices. You can also use YESLY in routines, along with other services offered by voice assistants.

GATEWAY connects via the 2.4GHz WiFi network of the home router. However, if your wireless connection goes down the YESLY system will continue to work with Bluetooth.



Type 1Y.GU.005

**GATEWAY can be integrated with all existing YESLY systems.**





## Type 1Y.P2 - 2-Input YESLY interface unit



Wall box mounting



Bluetooth



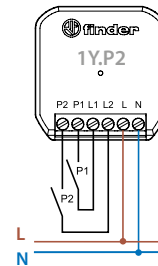
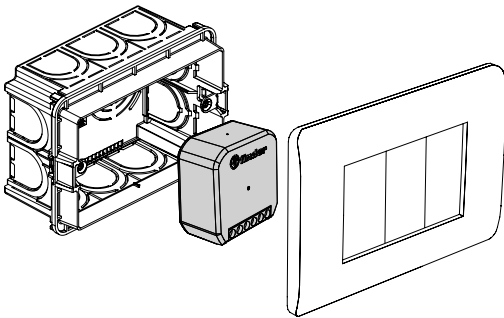
Interface for volt-free or phase voltage contacts



Type 1Y.P2.8.230.B000

The 2-input 1Y.P2 interface has been developed to accept volt-free contacts or phase voltage (L) signals as inputs, and to integrate them into a YESLY system. It is therefore possible to control YESLY devices for lighting or roller blind control by choosing to use non-YESLY pushbuttons or voltage signals.

- 2 input channels (P1 and P2)
- Suitable for controlling YESLY devices with traditional pushbuttons or switches, for example by integrating into an existing residential lighting system or with PLC outputs or relay contacts etc..
- Programming via Smartphone with Finder Toolbox Plus
- Compatible with illuminated pushbuttons [max 5 (≤1 mA) buttons]
- Supply voltage: 110...230 V AC
- Transmission range: 10 meters in free space and without obstacles.





## BEYON

PUSHBUTTON  
BLUETOOTH

### 2 or 4 channel Wireless pushbuttons



Bluetooth



No recharging or  
batteries needed



Light control



Electric roller blinds  
and shutter control



Type 1Y.13.B10 - pushbutton BLE 2 channels  
Type 1Y.13.B20 - pushbutton BLE 4 channels  
white

Finder's BEYON is an innovative remote control for your YESLY comfort living system. BEYON's minimal design is suitable for every kind of interior decorations giving a light and elegant touch.

BEYON Bluetooth pushbuttons can be associated with YESLY devices through the Finder Toolbox Plus App. They can switch or dim lights, control electric shutters and other kinds of load.

You can set them up to control whatever you want and even activate scenarios. Beyon works without batteries and without any charging device.

- Operating frequency: Bluetooth 4.2 BLE 2.4 Ghz
- Switching cycles: 50000
- Transmission range: approximately 10 m in free space and without obstacles.  
The transmission range may vary depending on the building structure



Type 1Y.13.B12 - pushbutton BLE 2 channels  
Type 1Y.13.B22 - pushbutton BLE 4 channels  
black

BEYON is provided with a magnetic disk and an adhesive pad, so it is possible to attach it to any kind of surface, be it: metal, wood, glass.

The silicone covers, included in the packaging, protect the BEYON from falls and provide an incredibly simple color coding, in order to associate buttons to rooms or functions.

They are available FINDER BLUE, NIGHT GREY and GLACIER WHITE.





## Type 013.B9 - 2 or 4 channel Wireless pushbuttons, wall mounting



Turning devices ON / OFF



No recharging or batteries needed



Electric roller blinds and shutter control



Type 013.B9

Wireless pushbuttons for your YESLY comfort living system.

Can be associated with YESLY devices through Finder Toolbox Plus App.

They can switch or dim lights, control electric shutters and other kinds of load.

You can set them up to control whatever you want and even activate scenarios.

The Type 013.B9 pushbuttons work without batteries and without any charging device.

- Operating frequency: Bluetooth 4.2 BLE 2.4 Ghz
- Switching cycles: 50 000
- Transmission range: approximately 10 m in free space and without obstacles. The transmission range may vary depending on the building structure
- Available in white only
- Dimensions: 82 x 82 x 14 mm

Type 013.B9 pushbuttons are supplied with a magnetic disc and an adhesive pad, so you can place it on any surface: metallic, wooden or glass. Easy to install without the need of invasive works. Can be mounted in 60 mm round box. The Type 013.B9 pushbutton has a more classic and essential design, providing the YESLY system with a complete stylish range.

*The 013.B9 pushbuttons can be configured as 2 or 4 channel using the adapters supplied in the package.*





# YESLY - ACCESSORIES - Range extender



This device will extend the transmission range and is used where wireless pushbuttons or a Smartphone cannot communicate with the YESLY devices because of the distance. The range extenders must be installed within a maximum distance of 10 meters. Up to 4 devices can be used in the same system. The range extender is a plug-n-play device, it does not need configuring.

## Type 1Y.EU.005 - USB input range extender



Plug-n-play



Extends the operating range



Type 1Y.EU.005

- Power supply: USB plug 5V – 0.5 A minimum
- Operating frequency 2.4 Ghz
- Operating temperature range: -10 °C...+50 °C
- Transmission range: approximately 10 m in free space and without obstacles. The transmission range may vary depending on the building structure.

## Type 1Y.E8.230 - Range extender, for installation within a wall box (ie: Ø 60 mm)



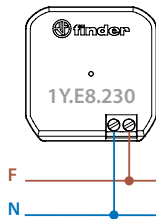
Wall box mounting



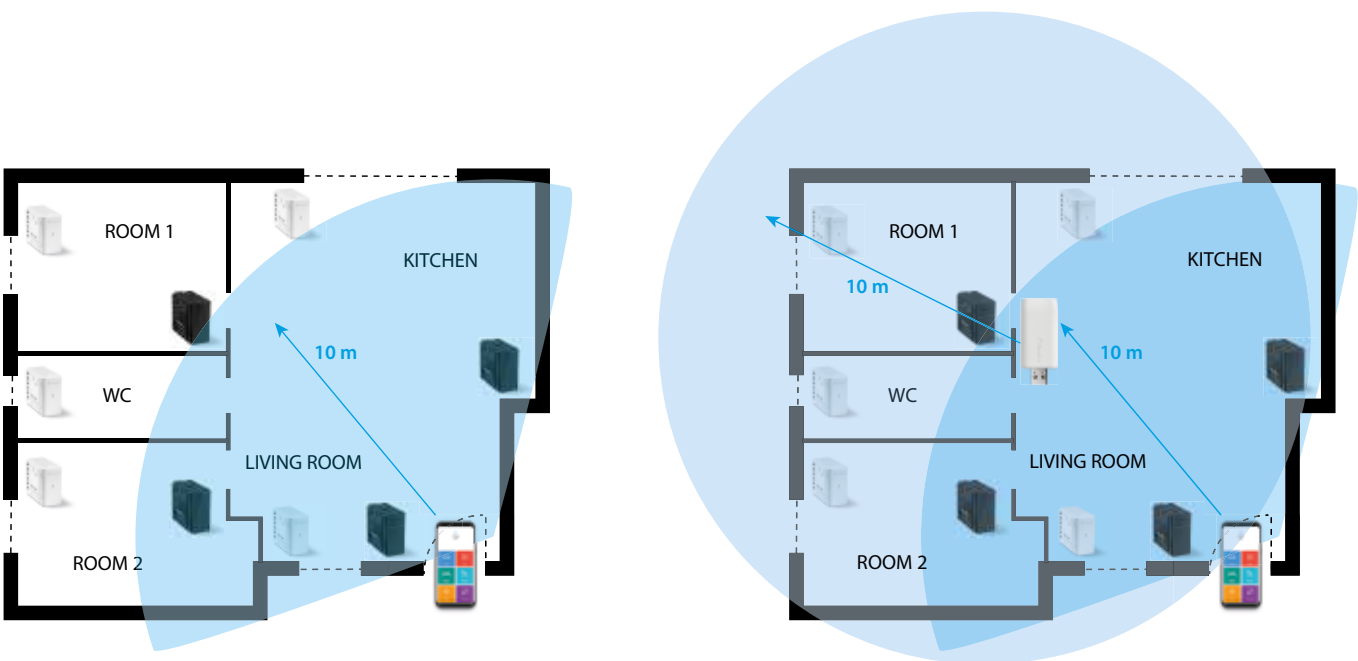
Extends the operating range



Type 1Y.E8.230



- Power supply: 230 V AC
- Operating frequency 2.4 Ghz
- Operating temperature range: -10 °C...+50 °C
- Transmission range: approximately 10 m in free space and without obstacles. The transmission range may vary depending on the building structure.



YESLY.LIFE